

CABLE 402 RF: I-PEX MHF I LK PLUG TO 1.13 CABLE TO RP SMA S/T BULKHEAD JACK WITH O-RING (IP67/68), 6GHz

SPECIFICATIONS:

1. I-PEX MHF I LK PLUG, P/N: ϕ 1.13MM CABLE: 20670-001R-13.
LOCK: 3376-000
2. 1.13MM COAXIAL CABLE, COLOR: GRAY
3. RP SMA STRAIGHT BULKHEAD JACK WITH O-RING RATED TO IP67/68, P/N: RFCT-SMA071-F78.

USAGE PRECAUTIONS: CABLES USING 'MICRO' COAX ARE DELICATE:

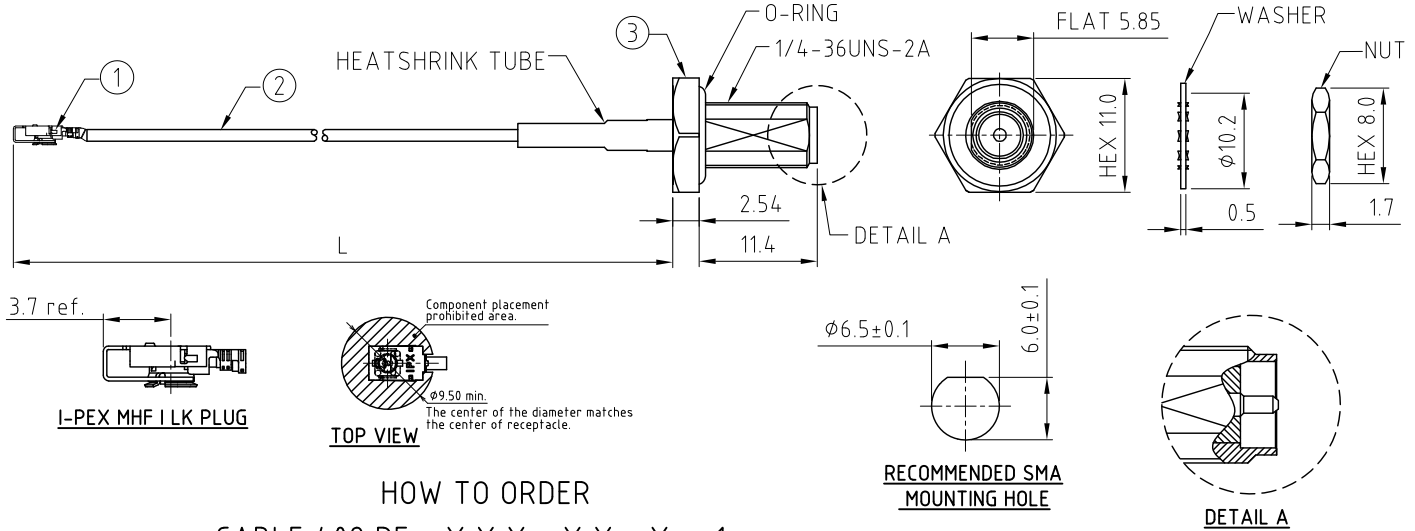
- (i) HANDLE WITH CARE.
- (ii) DO NOT TWIST; APPLY EXCESSIVE FORCES OR SHARP BENDS TO THE CABLE. DO NOT FORCEFULLY DEFORM WIRES.
- (iii) CONSULT CONNECTOR MANUFACTURER'S DATASHEETS FOR DETAILED NOTES ON HANDLING INSTRUCTIONS.

ENVIRONMENTAL:

- A. BULKHEAD MOUNTED CONNECTOR (RFCT-SMA071-F78) RATED TO THE FOLLOWING SPECIFICATION:
- i. IP6X - DUST TIGHT - NO PARTICLE INGRESS.
 - ii. IPX7 WATERPROOF FOR 30 MINUTES UP TO 1 METER UNDERWATER.
 - iii. IPX8 WATERPROOF FOR 48 HOURS AT 1 METER UNDERWATER.

NOTES:

1. THE ORIENTATION OF CONNECTORS ON DRAWING IS FOR REFERENCE ONLY, IF THE ORDER IS LEFT BLANK THE CONNECTOR WILL NOT HAVE FIXED ORIENTATION.
2. FIXED ORIENTATION IS SUGGESTED FOR CABLE LENGTH 50MM TO 100MM. PLEASE SPECIFY THE FIXED ORIENTATIONS FROM THE ORDER CODE (F1, F2, ETC)
3. CONTACT GRADCONN IF THE ORIENTATION YOU REQUIRE IS NOT SHOWN.
4. WORKING FREQUENCY RANGE: DC-6GHz.
5. OPERATING TEMPERATURE: -40°C~+85°C.
6. IMPEDANCE: 50 Ohm.



HOW TO ORDER

CABLE 402 RF - X X X - X X - X - 1

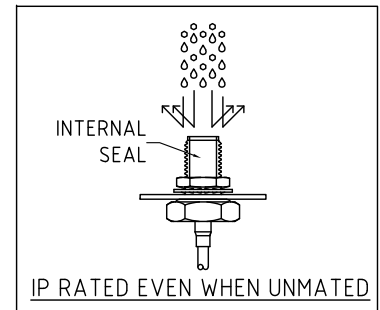
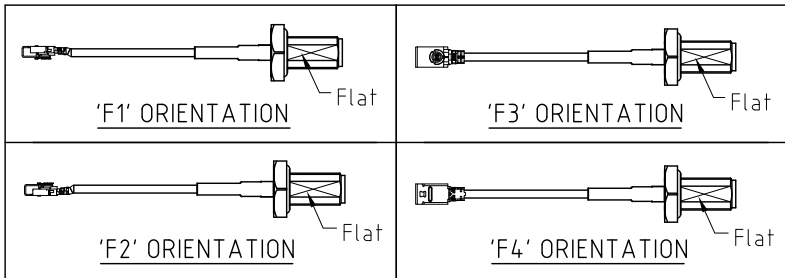
"L" LENGTH IN MM:
eg: 100MM = 100
(MIN. 050-MAX.400)
STANDARD = 100, 150, 200
Tolerance: 50-200mm: ±5mm.
201-400mm: ±7mm.

CABLE SIZE:
1 = ϕ 1.13MM CABLE, COLOR: GRAY

WASHER AND NUT OPTIONS:
BLANK = SEPARATELY PACKED (STANDARD)
A = ASSEMBLED WITH CONNECTOR

ORIENTATION OPTIONS:

- BLANK = DOES NOT HAVE A FIXED ORIENTATION
F1 = MHF CONNECTION DOWN (L=50-200MM)
F2 = MHF CONNECTION UP (L=50-200MM)
F3 = MHF CONNECTION AND D FLAT SAME ORIENTATION (L=50-200MM)
F4 = MHF CONNECTION AND D FLAT OPPOSITE ORIENTATION (L=50-200MM)
(SEE NOTES 1, 2, 3 AND DIAGRAMS FOR MORE INFORMATION)



REV. DATE & DRN
11. 30/06/20 - ANY
12. 04/07/20 - LIMITED AREA
13. 04/07/20 - ANY
14. 04/07/20 - ANY
15. 04/07/20 - ANY
16. 04/07/20 - ANY
17. 04/07/20 - ANY
18. 04/07/20 - ANY
19. 04/07/20 - ANY
20. 04/07/20 - ANY
21. 04/07/20 - ANY
22. 04/07/20 - ANY
23. 04/07/20 - ANY
24. 04/07/20 - ANY
25. 04/07/20 - ANY
26. 04/07/20 - ANY
27. 04/07/20 - ANY
28. 04/07/20 - ANY
29. 04/07/20 - ANY
30. 04/07/20 - ANY
31. 04/07/20 - ANY
32. 04/07/20 - ANY
33. 04/07/20 - ANY
34. 04/07/20 - ANY
35. 04/07/20 - ANY
36. 04/07/20 - ANY
37. 04/07/20 - ANY
38. 04/07/20 - ANY
39. 04/07/20 - ANY
40. 04/07/20 - ANY
41. 04/07/20 - ANY
42. 04/07/20 - ANY
43. 04/07/20 - ANY
44. 04/07/20 - ANY
45. 04/07/20 - ANY
46. 04/07/20 - ANY
47. 04/07/20 - ANY
48. 04/07/20 - ANY
49. 04/07/20 - ANY
50. 04/07/20 - ANY
51. 04/07/20 - ANY
52. 04/07/20 - ANY
53. 04/07/20 - ANY
54. 04/07/20 - ANY
55. 04/07/20 - ANY
56. 04/07/20 - ANY
57. 04/07/20 - ANY
58. 04/07/20 - ANY
59. 04/07/20 - ANY
60. 04/07/20 - ANY
61. 04/07/20 - ANY
62. 04/07/20 - ANY
63. 04/07/20 - ANY
64. 04/07/20 - ANY
65. 04/07/20 - ANY
66. 04/07/20 - ANY
67. 04/07/20 - ANY
68. 04/07/20 - ANY
69. 04/07/20 - ANY
70. 04/07/20 - ANY
71. 04/07/20 - ANY
72. 04/07/20 - ANY
73. 04/07/20 - ANY
74. 04/07/20 - ANY
75. 04/07/20 - ANY
76. 04/07/20 - ANY
77. 04/07/20 - ANY
78. 04/07/20 - ANY
79. 04/07/20 - ANY
80. 04/07/20 - ANY
81. 04/07/20 - ANY
82. 04/07/20 - ANY
83. 04/07/20 - ANY
84. 04/07/20 - ANY
85. 04/07/20 - ANY
86. 04/07/20 - ANY
87. 04/07/20 - ANY
88. 04/07/20 - ANY
89. 04/07/20 - ANY
90. 04/07/20 - ANY
91. 04/07/20 - ANY
92. 04/07/20 - ANY
93. 04/07/20 - ANY
94. 04/07/20 - ANY
95. 04/07/20 - ANY
96. 04/07/20 - ANY
97. 04/07/20 - ANY
98. 04/07/20 - ANY
99. 04/07/20 - ANY
100. 04/07/20 - ANY

Scale: NTS	THIRD ANGLE	Unstated .X .XX .XXX ANGLES	Tolerances: N/A N/A N/A N/A
Drawn: CC			
App'd: XXX	Title CABLE ASSEMBLY		
Date: 31 MAR. '24	Revision: 1.3	Unit: mm	



IP Rated RF Products
www.gradconn.com
© THIS DRAWING IS CONFIDENTIAL AND MUST NOT BE COPIED OR DISCLOSED WITHOUT WRITTEN CONSENT

Type: Cable 402 RF
CABLE 402 RF
Drawing Number:
Sheet 1 of 1
Drawing © E and O E